



# MASTER VALUE LEDspot LV

## MAS LED spot VLE D 5.5-35W MR16 827 36D

Delivering a warm, halogen-like accent beam, MASTER LEDspot LV is an ideal retrofit solution for spot and general lighting applications in the hospitality industry. It is particularly suited to public areas such as receptions, lobbies, corridors, stairwells and washrooms, where the light is on all the time. The robustly designed MASTER LEDspot offers a choice of beam angles for a clearly defined beam spread. There is no UV or IR in the beam, making it suitable for illuminating heat-sensitive objects (food, organic materials, paintings, etc.). The patented intelligent driver enables broad compatibility with existing electromagnetic and electronic halogen transformers. The dimmable versions drive further efficiencies, while helping to create the desired atmosphere.

### Product data

General Information		Colour consistency	
Cap base	GU5.3 [ GU5.3]	Colour consistency	<6
Nominal lifetime (nom.)	25000 h	Color rendering index (nom.)	80
Switching cycle	50000X	LLMF at end of nominal lifetime (nom.)	70 %
Technical type	5.5-35W	Luminous Flux in 90° Cone (Rated)	450 lm
Light Technical		Operating and Electrical	
Colour code	827 [ CCT of 2700K]	Power (Rated) (Nom)	5.5 W
Beam Angle (Nom)	36 °	Lamp current (nom.)	630 mA
Luminous flux (nom.)	450 lm	Wattage equivalent	35 W
Luminous flux (rated) (nom.)	450 lm	Starting time (nom.)	0.5 s
Luminous intensity (nom.)	1000 cd	Warm-up time to 60% light (nom.)	0.5 s
Colour designation	Warm white (WW)	Power factor (nom.)	0.8
Rated beam angle	36 °	Voltage (Nom)	ac Electronic 12 V
Correlated colour temperature (nom.)	2700 K		
Luminous efficacy (rated) (nom.)	81.82 lm/W		

# MASTER VALUE LEDspot LV

## Temperature

T-Case maximum (nom.) 95 °C

## Controls and Dimming

Dimmable Yes

## Approval and Application

Suitable for accent lighting Yes

Energy efficiency label (EEL) A+

Energy Consumption kWh/1000 h 7 kWh

## Product Data

Full product code 871869670823100

Order product name MAS LED spot VLE D 5.5-35W MR16 827 36D

EAN/UPC – product 8718696708231

Order code 70823100

Numerator – quantity per pack 1

Numerator – packs per outer box 10

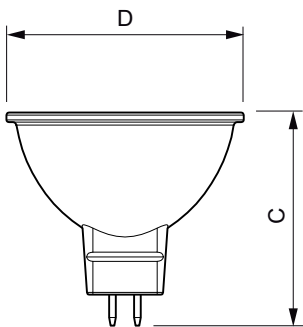
Material no. (12NC) 929001325902

Net weight (piece) 0.045 kg

## Warnings and Safety

- Operating temperature range is between -20° C and 45° C ambient
- Only to apply in dry or damp locations and most of open fixtures with lamp-holders that offer sufficient space (10 mm free air space)
- Not intended for use with emergency light fixtures or exit lights

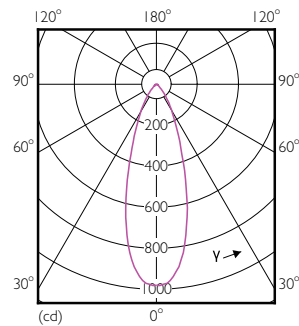
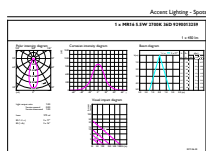
## Dimensional drawing



MR16 12V 5W-35W 380lm 36D 2700K GU5.3 D

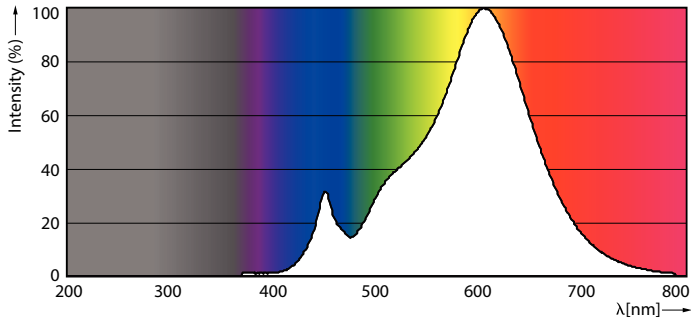
Product	D	C
MAS LED spot VLE D 5.5-35W MR16 827 36D	50.5 mm	45 mm

## Photometric data



# MASTER VALUE LEDspot LV

## Photometric data



## Lifetime

