

JC71812BLK

ToughBay Circular 230W 23,700lm 5700K IP65 105° Dimmable  
Black inc Hook



## General Information

<b>Product Group</b>	LED - Surface
<b>Product Range</b>	Toughbay
<b>Product Weight</b>	7.4Kg approx
<b>Finishes Available</b>	Black only
<b>Recommended Product Location</b>	Medium height mounting industrial applications. Suitable for areas with high salt/moisture content.
<b>Method Of Fix</b>	Suspension eye(supplied) Surface bracket(optional)
<b>Max Angle Of Tilt &amp; Rotation</b>	180° with surface bracket only
<b>Ingress Protection (IP)</b>	IP65
<b>Suitable For Zones</b>	Zone 1

### JCC Lighting

Innovation Centre, Beeding Close, Southern Cross  
Trading Estate, Bognor Regis, West Sussex, PO22 9TS  
Company Registration Number: 03044848 | VAT Number: 918544112  
T: 01243 838999 | F: 01243 838998 | [sales@jcc.co.uk](mailto:sales@jcc.co.uk) | [www.jcc.co.uk](http://www.jcc.co.uk)

## Electrical

**Input Voltage (V)** 100-240V~

**Secondary Running Current** 2.5 to 5 Amps

**Primary Running Current** 2.0 Amps

**Operating Frequency (Hz)** 50/60Hz

**CC or CV** Constant current

**Luminaire Circuit Wattage** 230W

**Sec - Voltage (V)** 48V DC

**Class** Class I, requires earth

**Total Harmonic Distortion (THD)%** 20%

**EMC Compliant (EN55015)** Yes

**Power Factor Correction** 0.95

**Input Electrical Connections** Live, Earth, Neutral (pre-wired flex)

**Dimmable** Yes, 1-10V only

## Thermals

**Max Luminaire Ambient Temp.** 60°C

**Max Driver/Ballast Ambient Temp.** 80°C

**Thermal Cut Out** 100°C + 10%

**Insulation Coverage** Do not cover

**Minimum Free Air Space** 100mm

## Performance Data

**Energy Rating** A+

### JCC Lighting

Innovation Centre, Beeding Close, Southern Cross

Trading Estate, Bognor Regis, West Sussex, PO22 9TS

Company Registration Number: 03044848 | VAT Number: 918544112

T: 01243 838999 | F: 01243 838998 | [sales@jcc.co.uk](mailto:sales@jcc.co.uk) | [www.jcc.co.uk](http://www.jcc.co.uk)

<b>Lumen Output</b>	23700lm
<b>Lumens Per Circuit Watt</b>	103 lm/W
<b>LED Life (Hours)</b>	50,000 to L70
<b>CRI: Ra</b>	80
<b>Colour Temperature (K)</b>	5700K
<b>Luminaire Beam Angle</b>	105
<b>LOR (Light Output Ratio) %</b>	100%
<b>Photometry Available</b>	Yes

## Construction

<b>Main Chassis</b>	Cast aluminium
<b>Lens</b>	Polycarbonate
<b>Heat Sink</b>	Cast aluminium
<b>Driver Housing</b>	Aluminium
<b>Rim Or Attachment</b>	Spun aluminium

## Packaging

<b>Luminaire Carton Dimensions</b>	465mm x 465mm x 200mm
<b>Quantity Per Outer Carton</b>	1
<b>Bar Code EAN Number</b>	5052544046261
<b>Packaged Weight</b>	8.2Kg approx

## Standards & Approvals

<b>Manufactured In Accordance To</b>	BS EN 60598-2-1
<b>CE Marked</b>	Yes
<b>Batch Coded</b>	Yes

### JCC Lighting

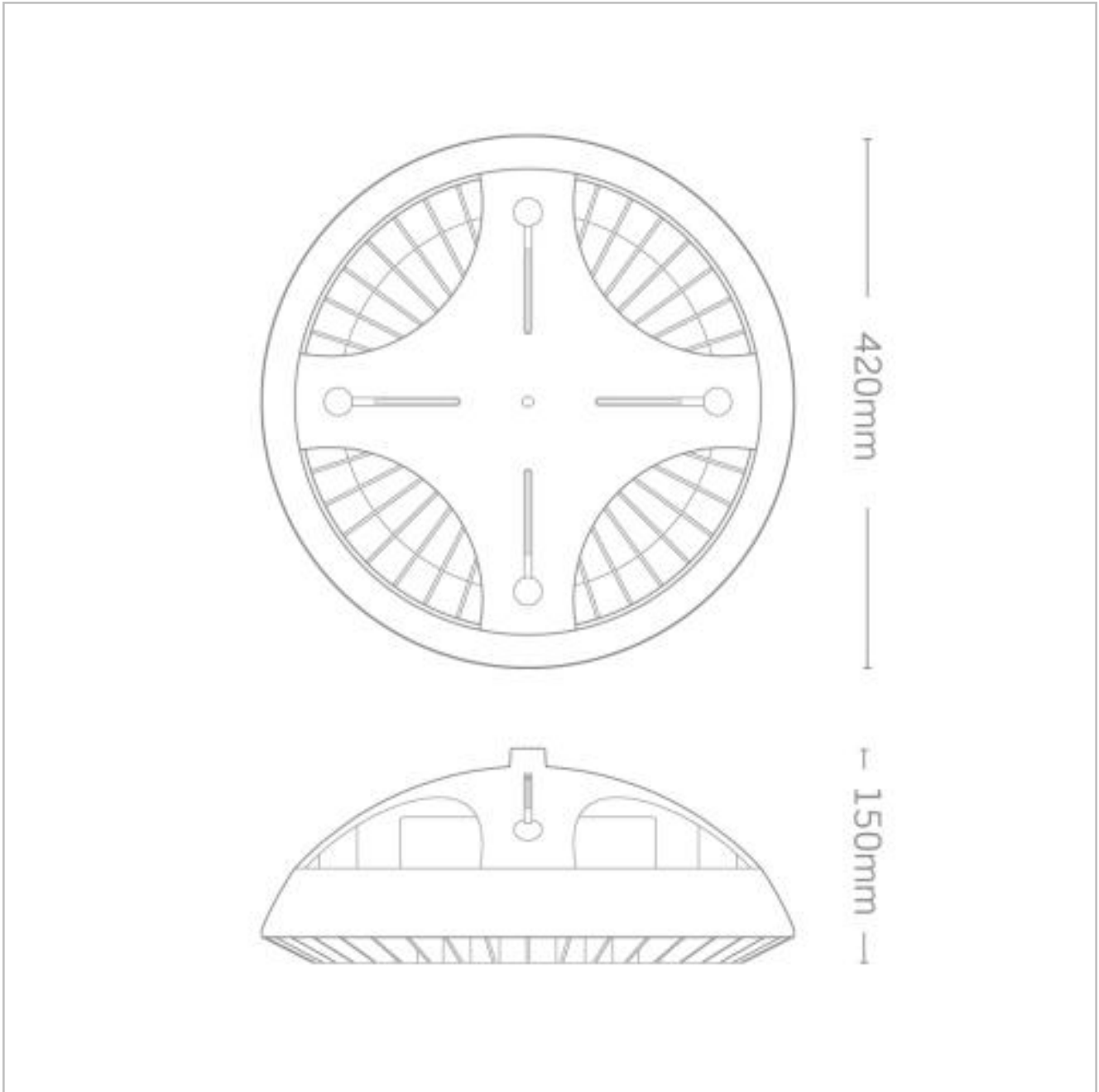
Innovation Centre, Beeding Close, Southern Cross  
Trading Estate, Bognor Regis, West Sussex, PO22 9TS  
Company Registration Number: 03044848 | VAT Number: 918544112  
T: 01243 838999 | F: 01243 838998 | [sales@jcc.co.uk](mailto:sales@jcc.co.uk) | [www.jcc.co.uk](http://www.jcc.co.uk)

**Certificate Of Conformity**

Yes, available on request

**Accredited Members**

LIA, ISO9001:2015, ISO14001:2015



Datasheet generated from <http://www.electrika.cloud> on 09 February 2018 11:10:04

**JCC Lighting**

Innovation Centre, Beeding Close, Southern Cross

Trading Estate, Bognor Regis, West Sussex, PO22 9TS

Company Registration Number: 03044848 | VAT Number: 918544112

T: 01243 838999 | F: 01243 838998 | [sales@jcc.co.uk](mailto:sales@jcc.co.uk) | [www.jcc.co.uk](http://www.jcc.co.uk)